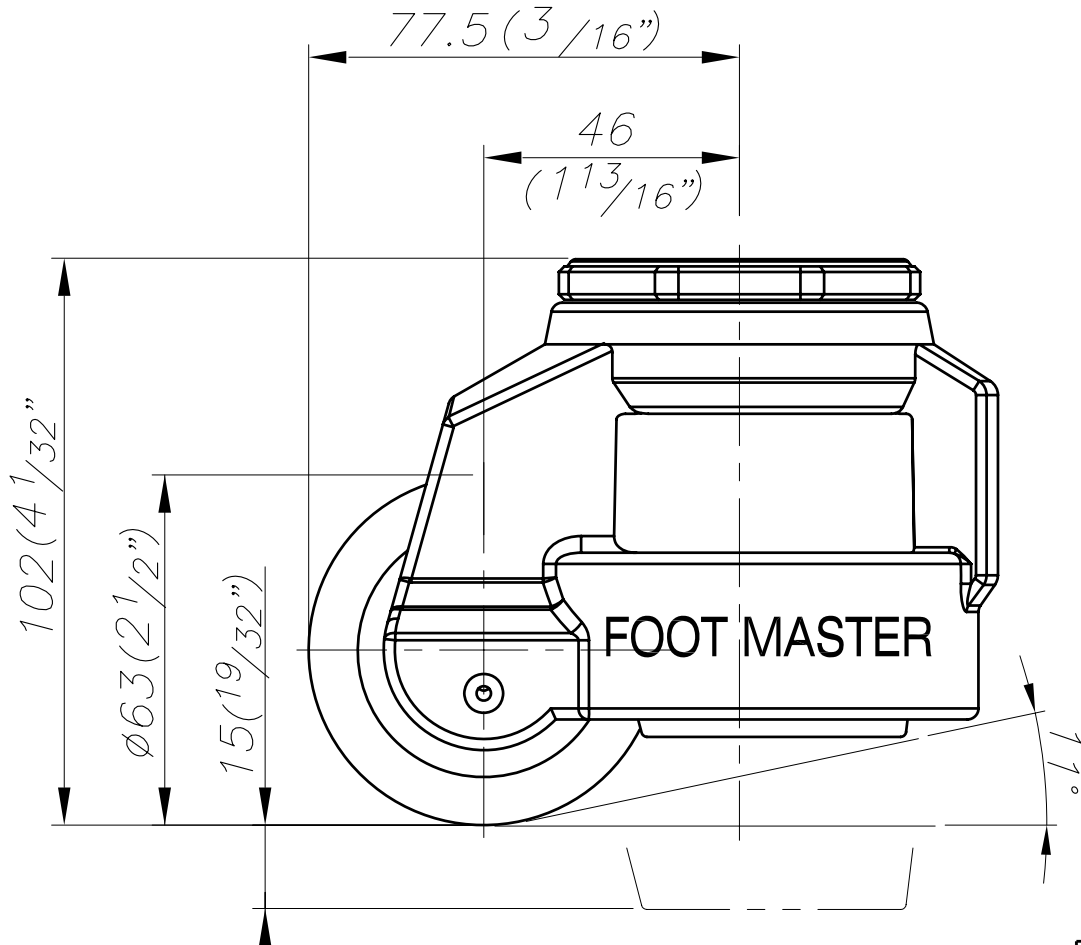
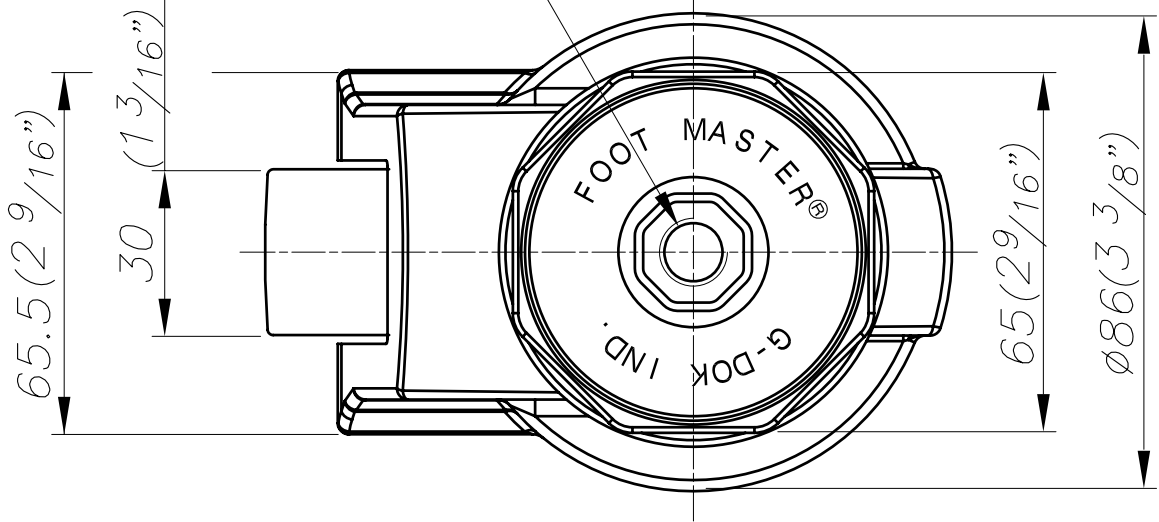


FootMaster North America
 division of **DoRodo, LLC**
 4655 Division Street, Wayland, MI 49348 USA
 866-362-3226 phone
 www.footmaster.us info@footmaster.us

M12x1.75 TAP
DEPTH MIN 10 (3/8")



Previously know as
GD-80S

FOOT MASTER ®

FOOMA ®

G-DOK IND.

MODEL NAME

GD-80-S-NYN

A

B

C

E

F

G